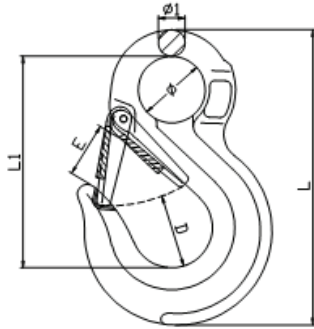


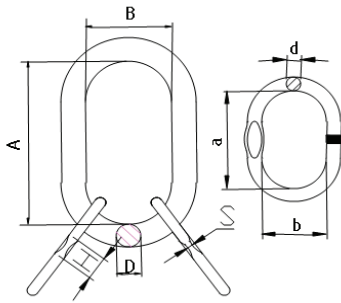
G80 & G100 PRODUCT

EUROPEAN TYPE EYE SLING HOOK WITH LATCH



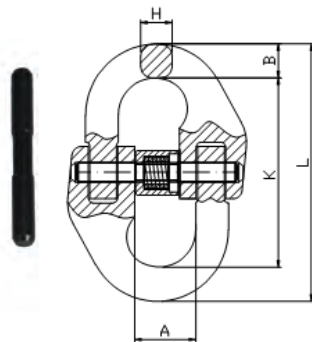
| SIZE | WEIGHT (kgs) | WLL (t) | BL/T | Φ1 | E | D | Φ | L1 | L2 |
|-------|--------------|---------|------|----|-----|-----|----|-------|-----|
| 6MM | 0.24 | 1.12 | 4.48 | 9 | 24 | 21 | 20 | 75 | 108 |
| 7-8MM | 0.4 | 2 | 8 | 11 | 30 | 26 | 25 | 98.5 | 133 |
| 10MM | 0.9 | 3.15 | 12.6 | 15 | 34 | 39 | 38 | 120 | 167 |
| 13MM | 1.83 | 5.3 | 21.2 | 19 | 39 | 54 | 43 | 152 | 213 |
| 16MM | 3.2 | 8 | 32 | 23 | 46 | 64 | 50 | 183.5 | 255 |
| 20MM | 5.8 | 12.5 | 50 | 24 | 48 | 80 | 62 | 219 | 305 |
| 22MM | 9.2 | 15 | 60 | 32 | 71 | 80 | 62 | 241 | 348 |
| 26MM | 13 | 21.2 | 84.8 | 35 | 81 | 82 | 64 | 279 | 394 |
| 32MM | 17 | 31.5 | 126 | 37 | 102 | 112 | 88 | 355 | 480 |

EUROPEAN TYPE MASTER LINK ASSEMBLY



| SIZE | WEIGHT (kgs) | WLL (t) | A | B | D | a | b | d | SxH |
|------|--------------|---------|-----|-----|----|-----|-----|----|-------|
| 6MM | 1.18 | 2.36 | 135 | 75 | 18 | 54 | 25 | 13 | 7x25 |
| 7MM | 1.24 | 3.15 | 135 | 75 | 18 | 60 | 38 | 13 | 7x25 |
| 8MM | 2.2 | 4.25 | 160 | 90 | 22 | 70 | 34 | 16 | 8x28 |
| 10MM | 3.4 | 6.7 | 180 | 100 | 26 | 85 | 40 | 18 | 11x35 |
| 13MM | 6.1 | 11.2 | 200 | 110 | 32 | 115 | 50 | 22 | 13x43 |
| 16MM | 9.98 | 17 | 260 | 140 | 36 | 140 | 65 | 26 | 17x55 |
| 18MM | 18.9 | 21.2 | 340 | 180 | 45 | 180 | 100 | 32 | 18x59 |
| 20MM | 22.6 | 26.5 | 350 | 190 | 50 | 180 | 100 | 32 | 20x64 |
| 22MM | 25.2 | 31.5 | 350 | 190 | 50 | 180 | 100 | 36 | - |
| 26MM | 35.2 | 45 | 400 | 200 | 56 | 180 | 100 | 40 | - |
| 28MM | 47 | 50 | 430 | 220 | 63 | 180 | 100 | 45 | - |
| 32MM | 66.46 | 63 | 460 | 250 | 72 | 200 | 110 | 50 | - |

EUROPEAN TYPE CONNECTING LINK

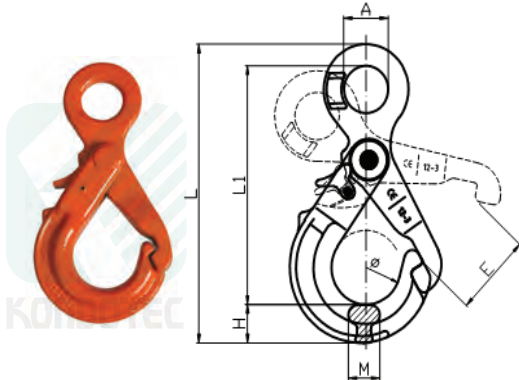


| SIZE | WEIGHT (kgs) | WLL (t) | BL/T | A | B | L | K | H |
|---------|--------------|---------|------|------|------|-------|-------|------|
| 6MM | 0.08 | 1.12 | 4.48 | 15 | 7.5 | 58 | 42 | 7 |
| 7-8MM | 0.146 | 2 | 8 | 18 | 9.5 | 79.5 | 60.5 | 8.5 |
| 10MM | 0.3 | 3.15 | 12.6 | 25 | 12 | 90.5 | 68 | 11.5 |
| 13MM | 0.63 | 5.3 | 21.2 | 29 | 15 | 117 | 87 | 15 |
| 16MM | 1.15 | 8 | 32 | 34.5 | 19.8 | 148 | 108.4 | 19.8 |
| 18-20MM | 2.1 | 12.5 | 50 | 41 | 24 | 169.5 | 121.5 | 24 |
| 22MM | 3 | 15 | 60 | 48 | 26 | 193.5 | 141.5 | 26 |
| 26MM | 4.5 | 21.2 | 84.8 | 57.5 | 31 | 220 | 158 | 30 |
| 32MM | 8.21 | 31.5 | 126 | 67 | 38 | 281 | 205 | 37 |

กรุณาติดต่อฝ่ายขายสำหรับข้อมูลเพิ่มเติม

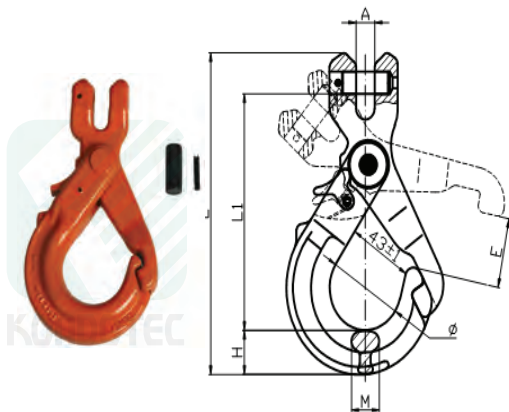
G80 & G100 PRODUCT

EUROPEAN TYPE EYE SELF-LOCKING HOOK WITH GRIP



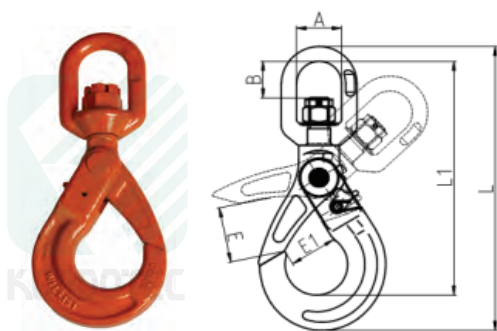
| SIZE | WEIGHT (kgs) | WLL (t) | BL/T | A | H | E | L | Φ | M | L1 |
|-------|--------------|---------|------|----|------|----|-------|----|------|-------|
| 7-8MM | 0.75 | 2 | 8 | 25 | 22 | 34 | 164 | 40 | 18 | 131 |
| 10MM | 1.3 | 3.15 | 12.6 | 32 | 26 | 42 | 201 | 50 | 22.5 | 161.6 |
| 13MM | 1.93 | 5.3 | 21.2 | 40 | 31 | 50 | 243.5 | 60 | 29 | 195.5 |
| 16MM | 3.4 | 8 | 32 | 50 | 39.5 | 60 | 298 | 70 | 35 | 238 |

EUROPEAN TYPE CLEVIS SELF-LOCKING HOOK WITH GRIP



| SIZE | WEIGHT (kgs) | WLL (t) | BL/T | A | H | E | L | Φ | M | L1 |
|-------|--------------|---------|------|------|------|----|-----|----|------|-----|
| 7-8MM | 0.8 | 2 | 8 | 9.5 | 21.5 | 36 | 150 | 40 | 18 | 111 |
| 10MM | 1.5 | 3.15 | 12.6 | 12 | 26.2 | 44 | 189 | 50 | 22.5 | 139 |
| 13MM | 2.8 | 5.3 | 21.2 | 15 | 31 | 54 | 229 | 60 | 29 | 168 |
| 16MM | 5.1 | 8 | 32 | 18.5 | 39.5 | 63 | 299 | 72 | 35 | 238 |

EUROPEAN TYPE CONNECTING LINK



| SIZE | WEIGHT (kgs) | WLL (t) | BL/T | A | B | E | E1 | L1 | L |
|---------|--------------|---------|------|------|------|-----|------|-------|-------|
| 6MM | 0.71 | 1.12 | 4.48 | 32.5 | 24 | 35 | 28 | 152.5 | 184 |
| 7-8MM | 1.15 | 2 | 8 | 36 | 29.5 | 40 | 35.8 | 189 | 228 |
| 10MM | 1.86 | 3.15 | 12.6 | 42 | 35 | 50 | 48 | 224 | 270 |
| 13MM | 3.51 | 5.3 | 21.2 | 50 | 41 | 60 | 52.5 | 267 | 324 |
| 16MM | 7.33 | 8 | 32 | 61 | 56.8 | 65 | 63.3 | 355.6 | 406 |
| 18-20MM | 10.3 | 12.5 | 50 | 72 | 63 | 80 | 86 | 378.2 | 460.5 |
| 22MM | 17.5 | 15 | 60 | 97 | 98 | 83 | 76 | 466 | 564 |
| 26MM | 23 | 21.2 | 84.8 | 123 | 115 | 106 | 96 | 544 | 661 |
| 32MM | 81 | 31.5 | 126 | 140 | 146 | 140 | 135 | 679 | 829 |

กรุณาติดต่อฝ่ายขายสำหรับข้อมูลเพิ่มเติม